

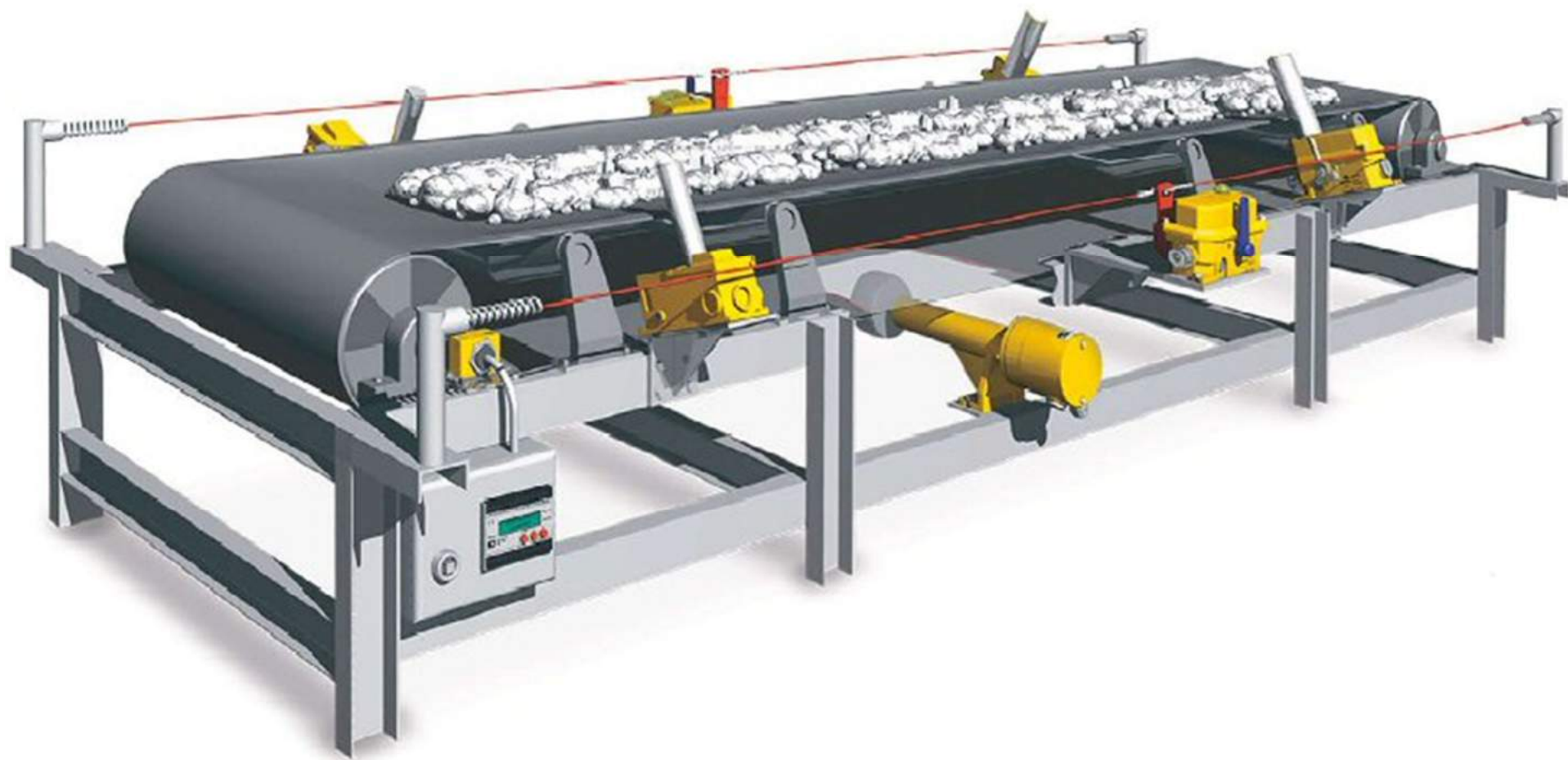
TS MEHANIZACIJA PRETOVARA

Pripremio Mr maš. Milorad Gegić dipl. Inž.

TRAKASTI TRANSPORTERI

NEKI ASPEKTI PRIMENE I OBLIKA KONSTRUKCIJE

OPŠTI OBLIK TRANSPORTNE TRAKE



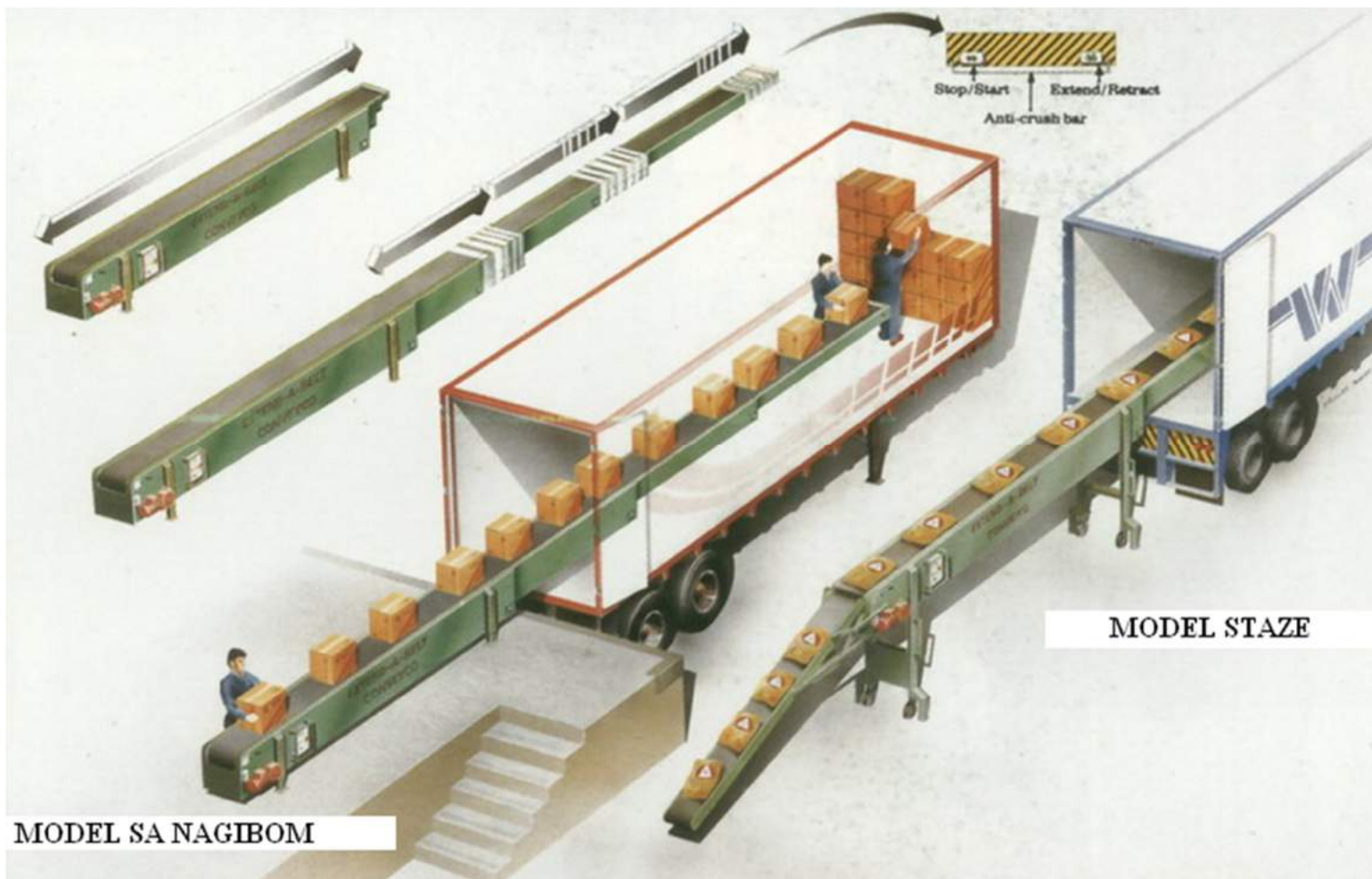
OBLIK TRANSPORTNE TRAKE POD NAGIBOM ZA POJEDNOSTAVLJEN
UTOVAR I ISTOVAR



MOBILNA PLATFORMA TRAKASTOG TRANSPORTERA



KORIŠĆENJE TRANSPORTERA ZA FORMIRANJE TOVARNE JEDINICE TRANSPORTNOG SUDA KAMIONA



SISTEM TRAKASTIH TRANSPORTERA U SORTIRANJU NA SKLADIŠTU



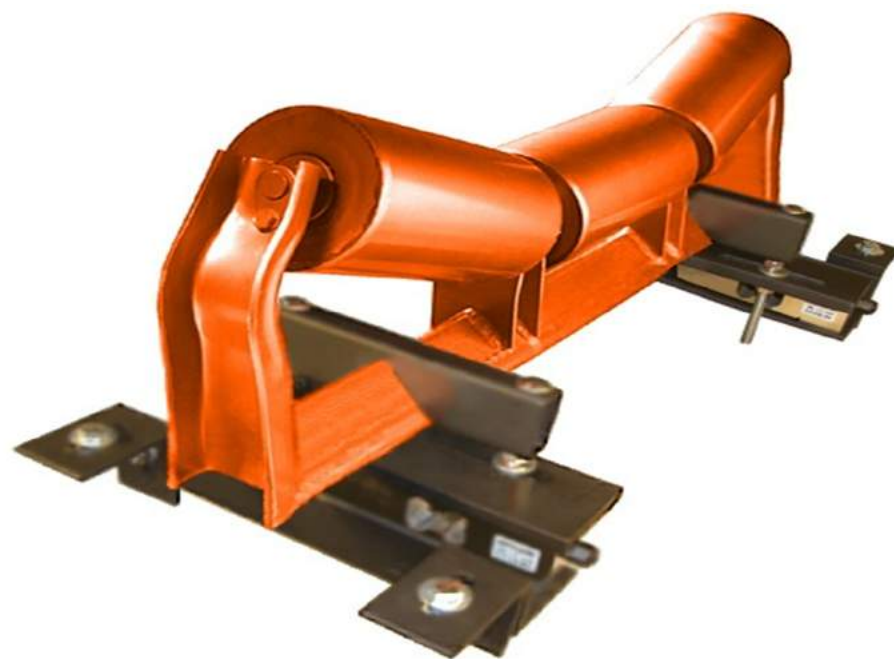
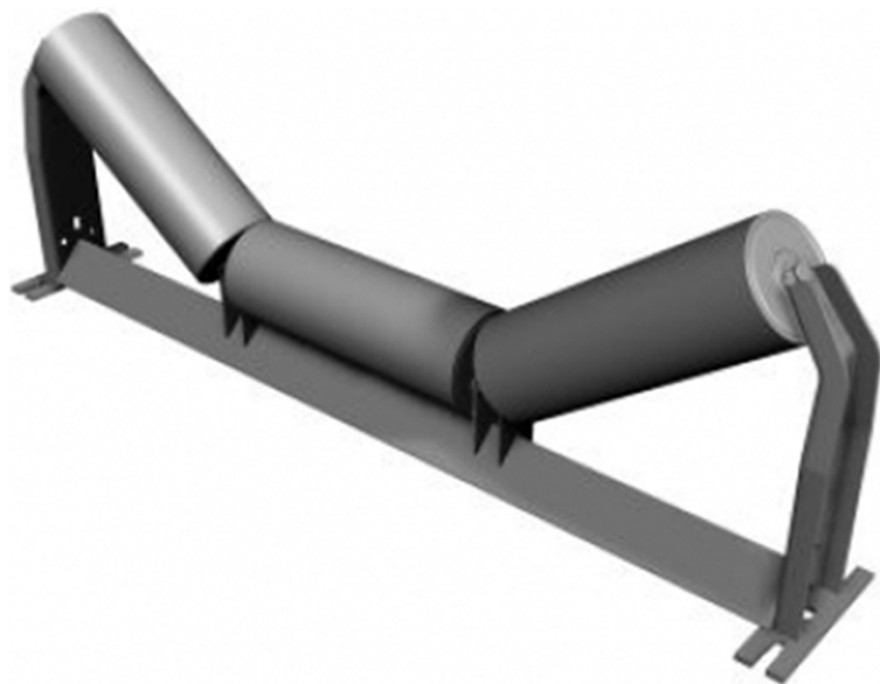
TRAKASTI TRANSPORTER U KOMBINACIJI SA DRUGIM TRANSPORTNIM UREĐAJIMA INDUSTRIJSKOG POSTROJENJA



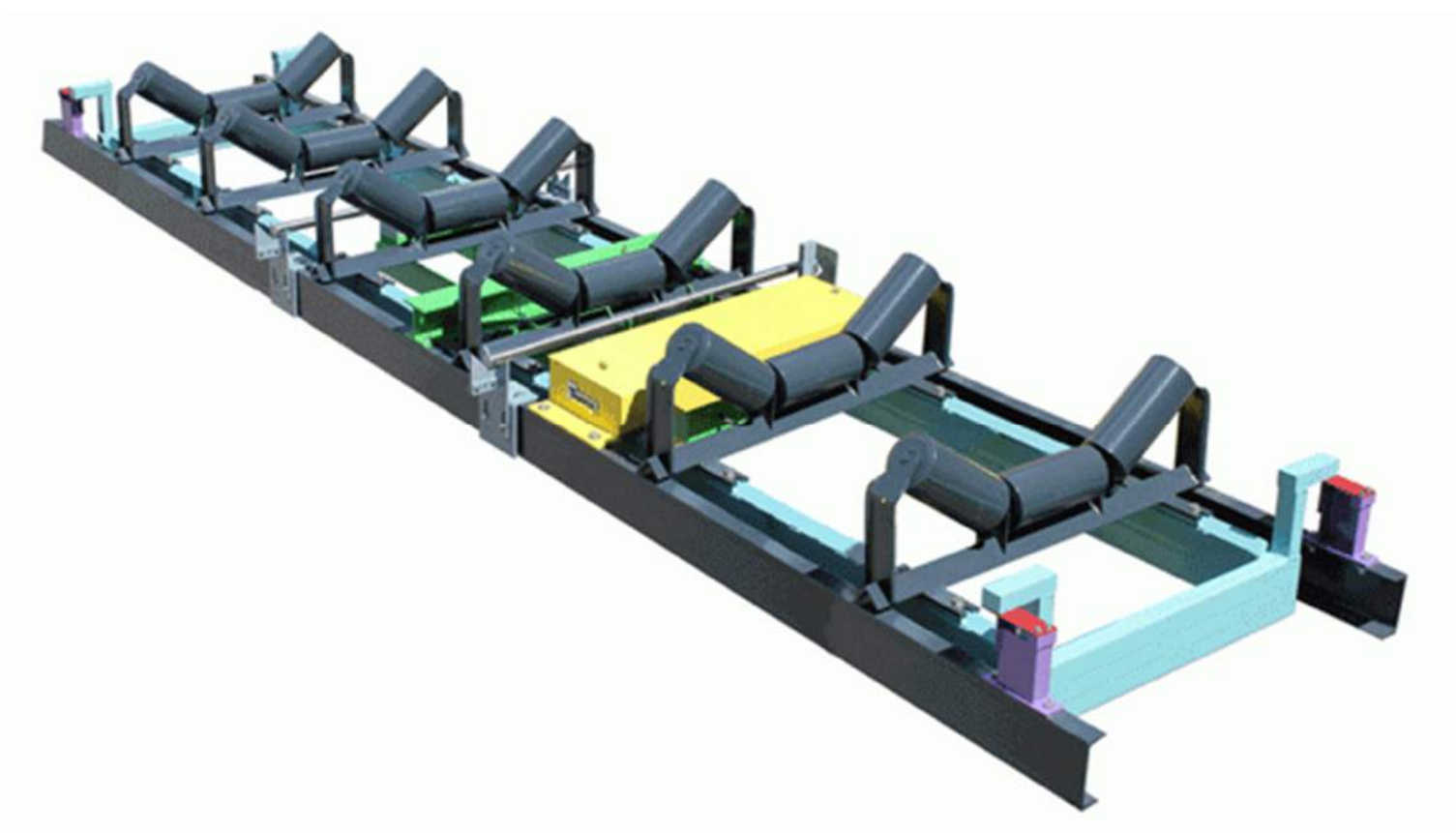
SISTEM TRANSPORTERA NA ISTOVARU RASUTOG TERETA IZ VAGONA



OBLIK VALJAKA TRAKASTOG TRANSPORTERA



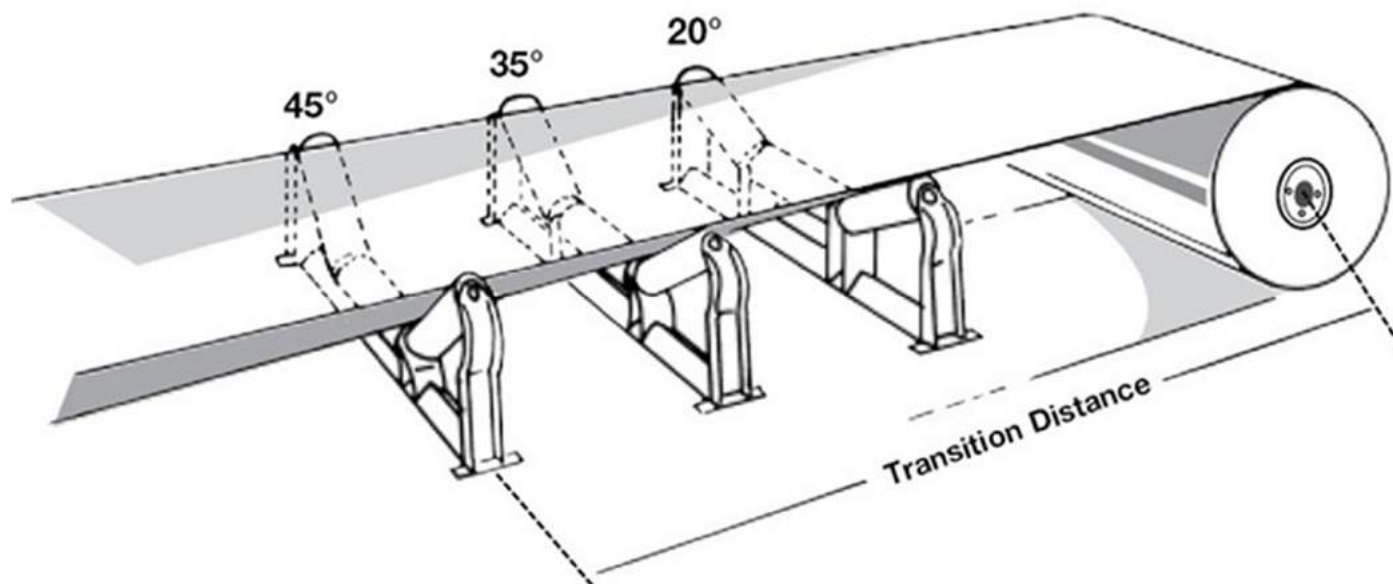
POZICIONIRANJE VALJAKA U SKLOPU



GUMENA TRAKA POPRIMA OBLIK POPREČNOG PROFILA POLOŽAJA VALJAKA



OBEZBEĐENJE KONTINUALNOG KORITASTOG OBLIKA TRAKE



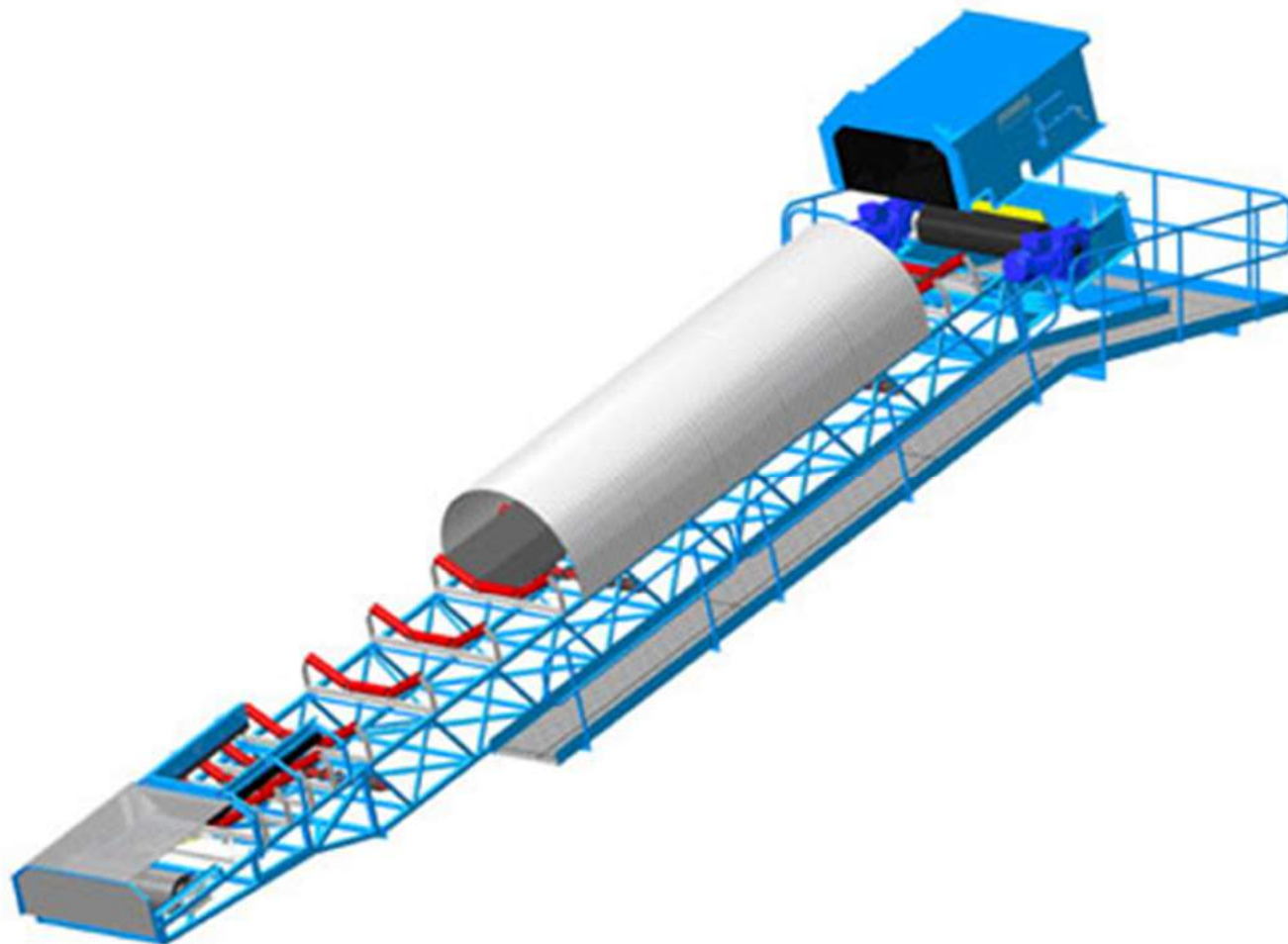
TRANSPORTNA LINIJA



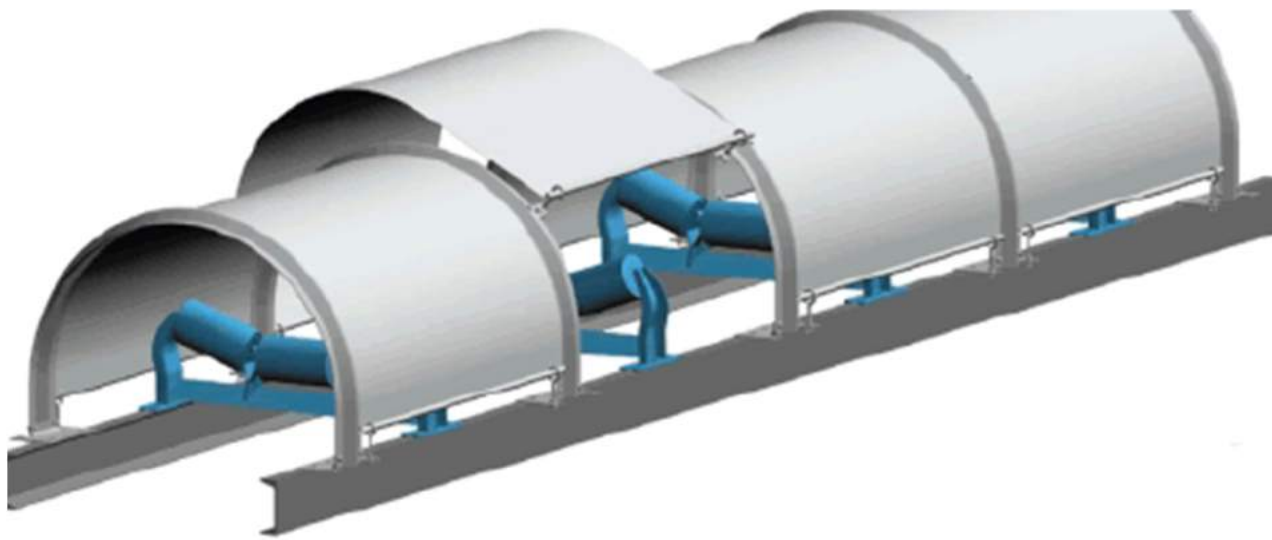
OBLIK IZVODNIKA



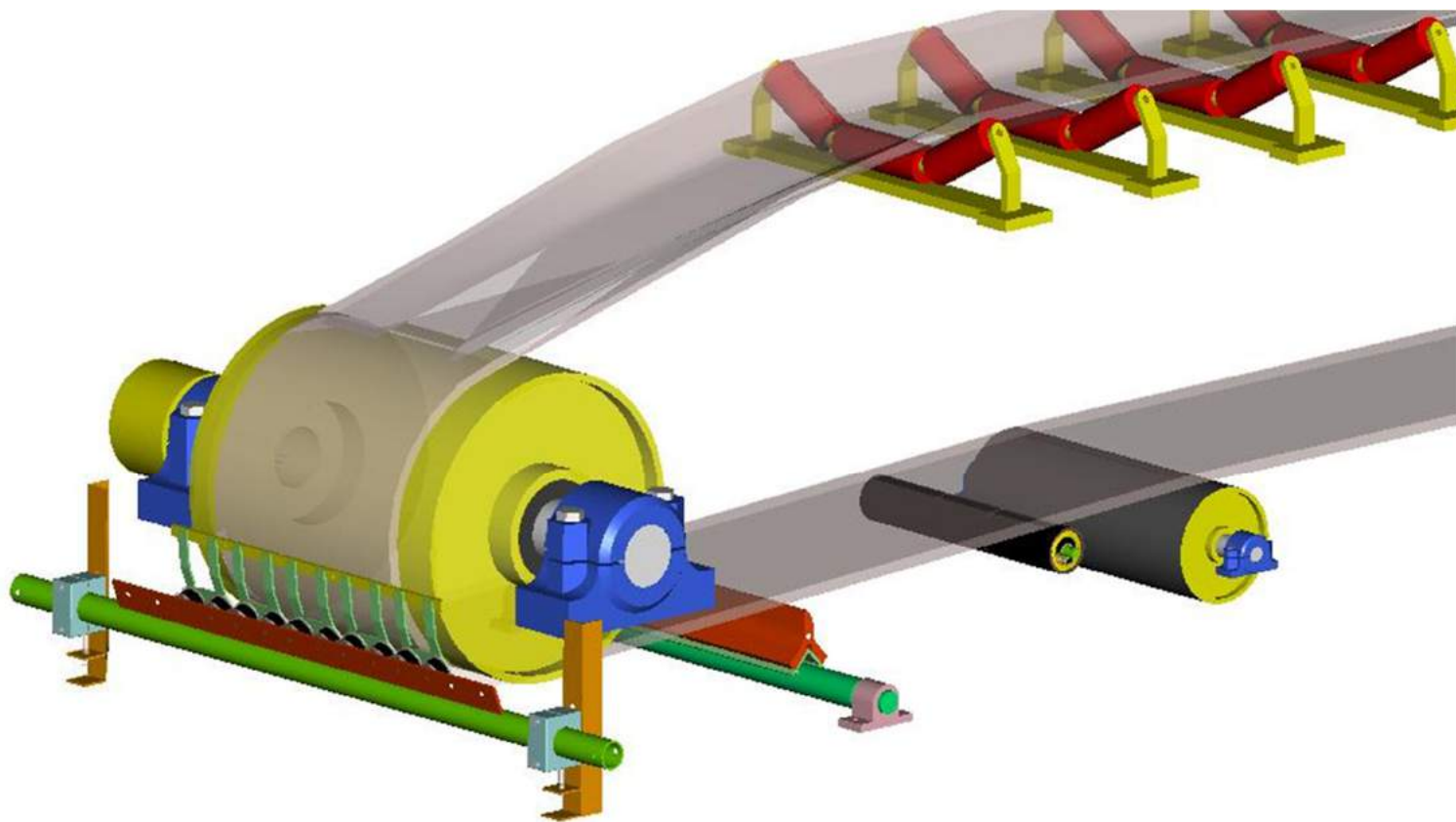
ZAŠTITA TRANSPORTNE LINIJE



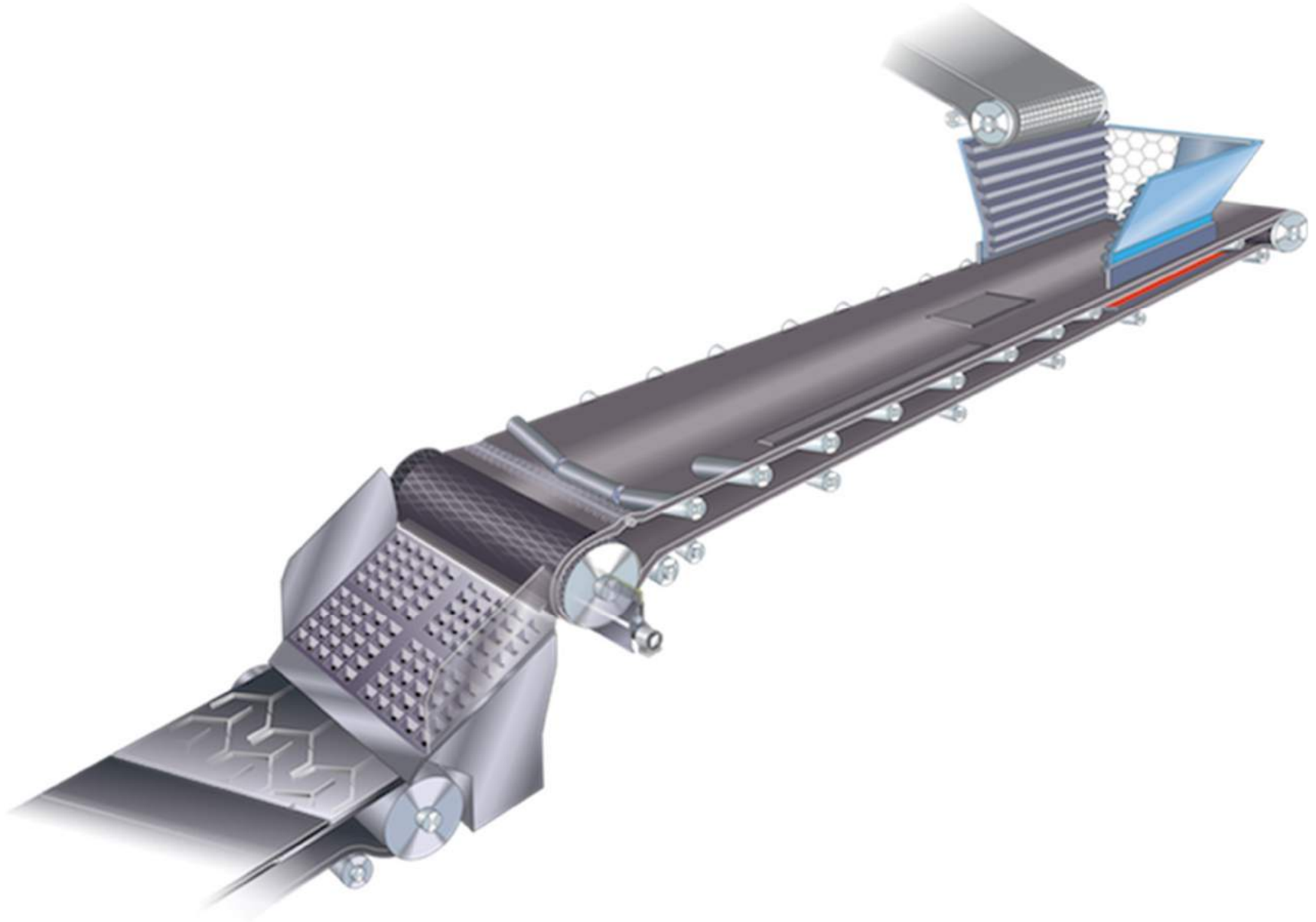
ZAŠTITA TRANSPORTNE LINIJE



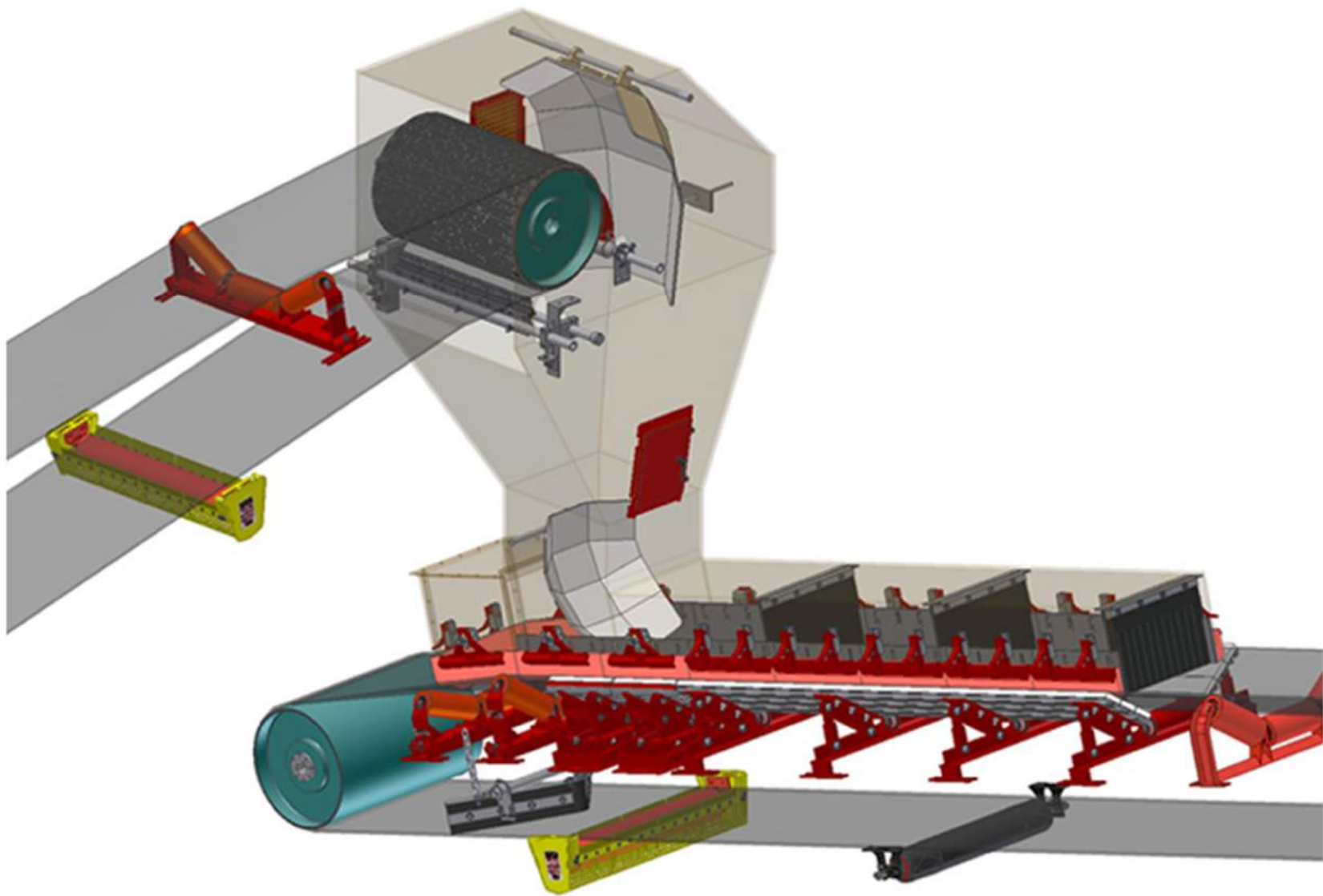
POGONSKI DOBOŠ



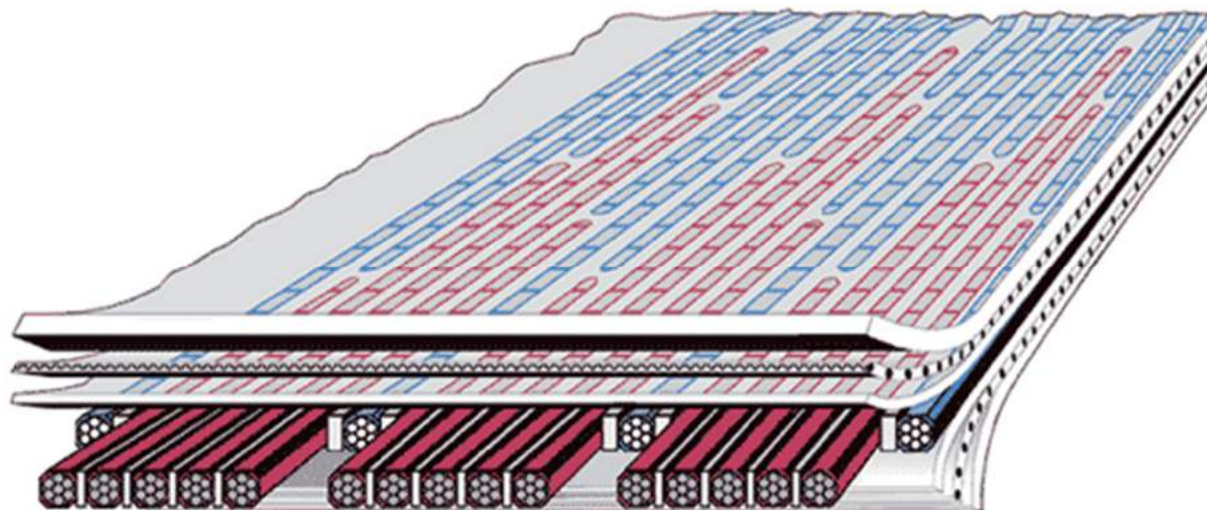
JEDAN OBLIK UVODNIKA



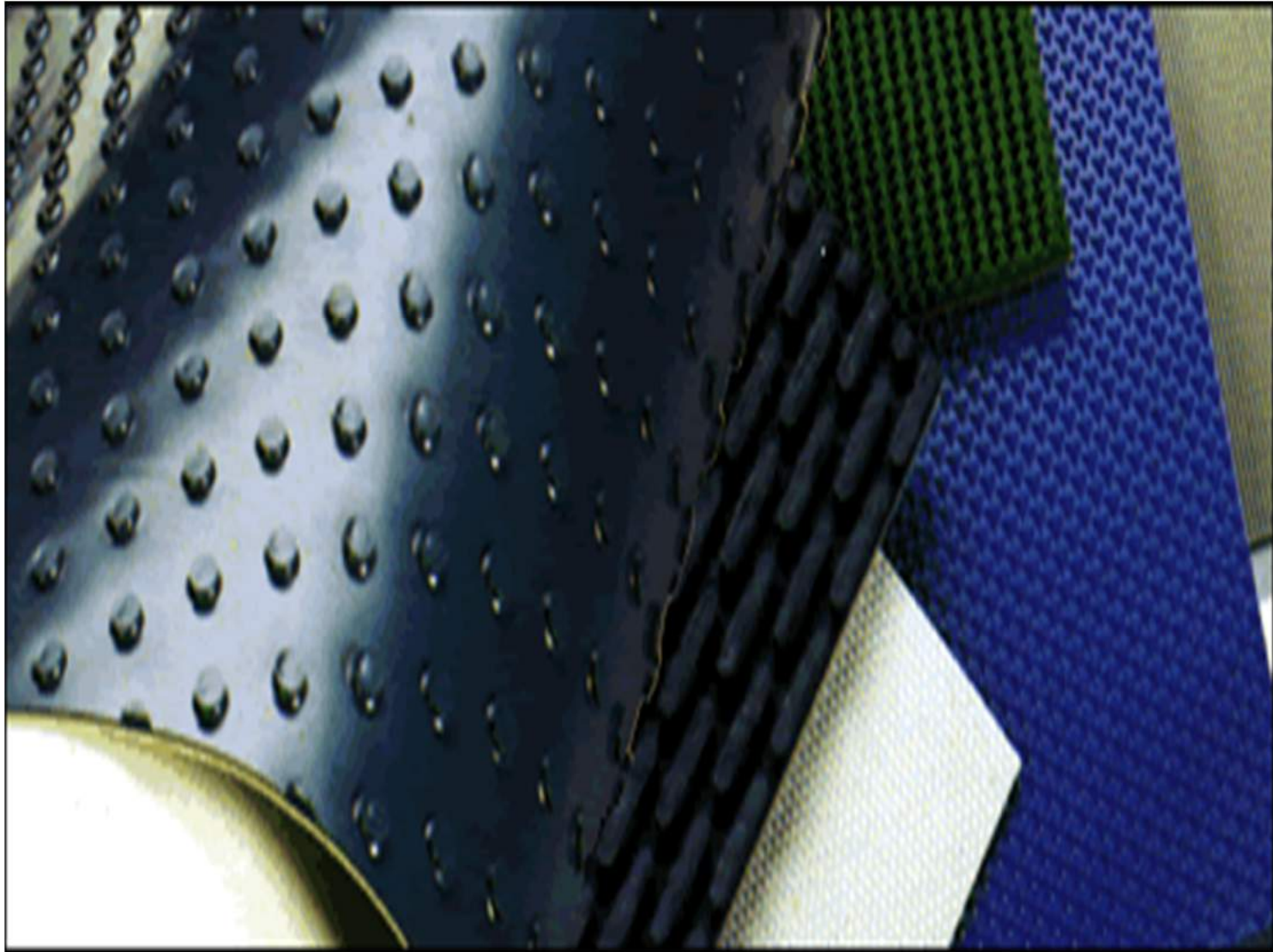
POSTAVLJANJE SISTEMA NEZAVISNIH TRANSPORTERA



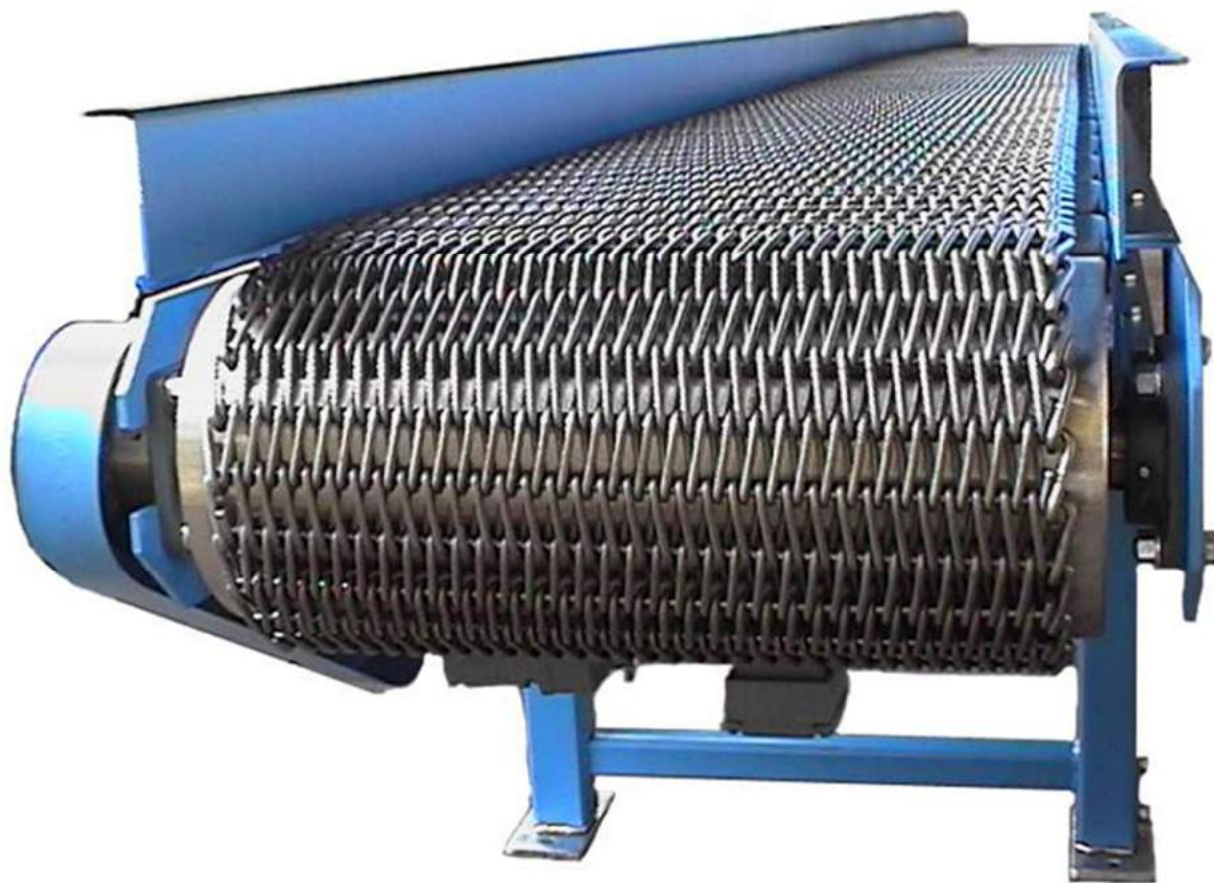
PRESEK KROZ TELO TRAKE



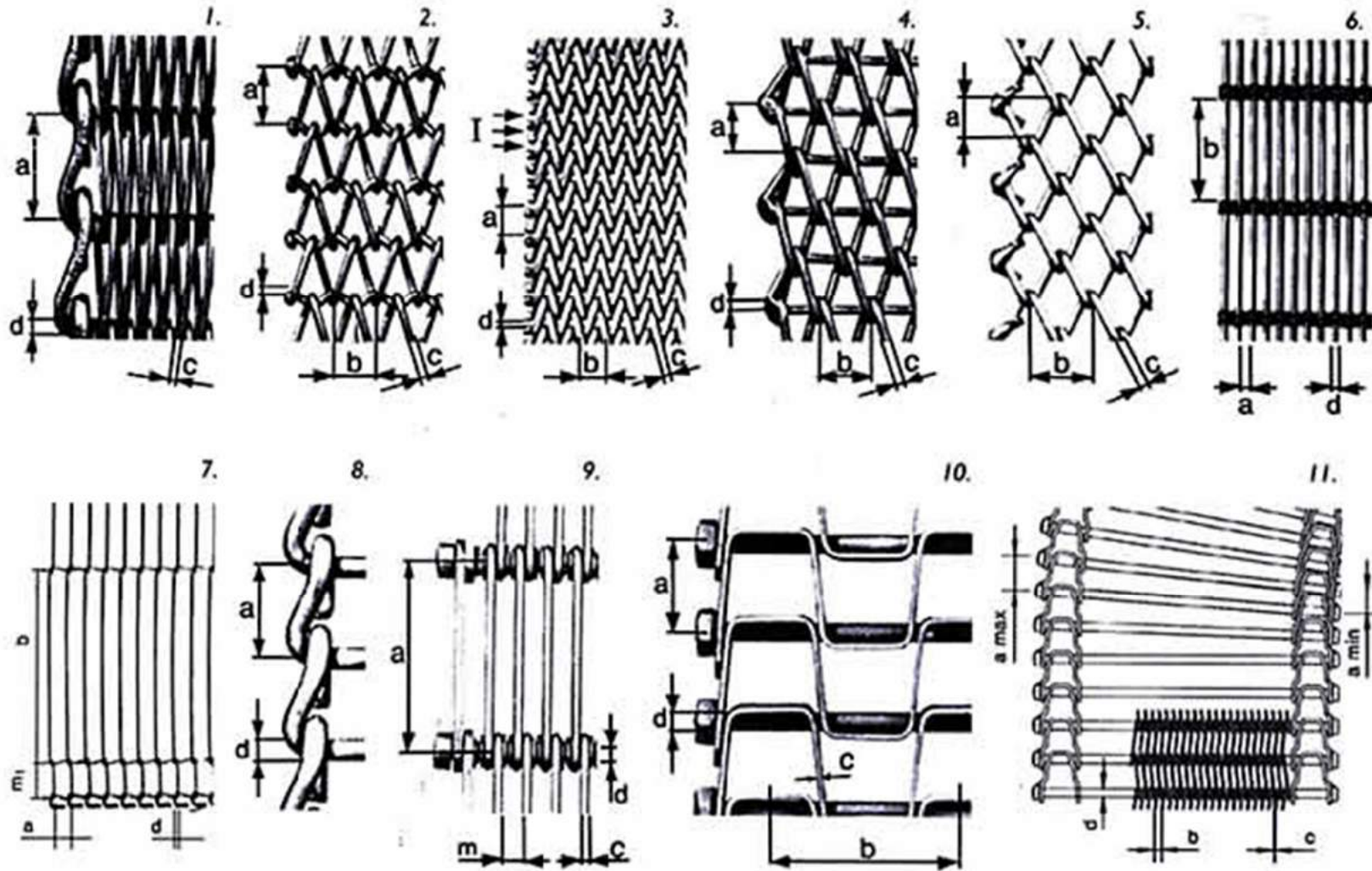
GUMIRANA TRAKA



TRAKA OD PLETENE ŽICE



MODELI ŽIČANE TRAKE



Transporter sa čeličnom trakom



UPUTSTVA ZA BEZBEDAN RAD TRANSPORTERA

Palletized Load Conveyor Safety

		
Do not climb, sit, stand, walk, ride, or touch the conveyor at any time	Do not perform maintenance on conveyor until electrical, air, hydraulic and gravity energy sources have been locked out or blocked	Operate equipment only with all approved covers and guards in place
		
Load/unload only at designated load/unload points	Ensure that all personnel are clear of equipment before starting	Allow only authorized personnel to operate or maintain material handling equipment
		
Do not modify or misuse conveyor controls	Keep clothing, body parts, and hair away from conveyors	Remove all trash, straps and other debris only when power is locked out
		
Ensure that ALL controls and pull cords are visible and accessible	Lock out all power before clearing jams	Report all unsafe conditions

© 2014 UPS, all rights reserved.

Conveyor Safety

	
Do not climb, sit, stand, or walk on conveyor at any time	Do not load a stopped conveyor or overload a running conveyor
	
Keep clothing, body parts, and hair away from conveyors	Report all unsafe conditions, jams should be cleared only by authorized, trained personnel

Report Unsafe Conditions → 

© 2014 UPS, all rights reserved.

HVALA NA PAŽNJI